

PRO X SWITCH KIT

PRO X 键轴套件

SETUP GUIDE

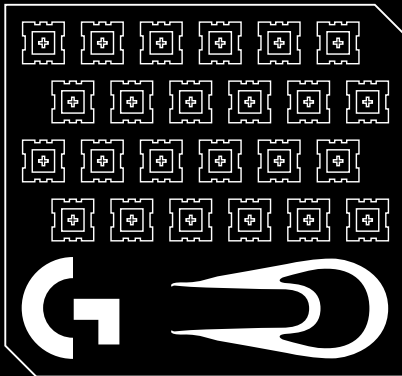
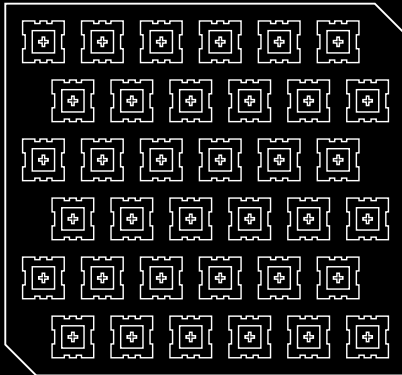
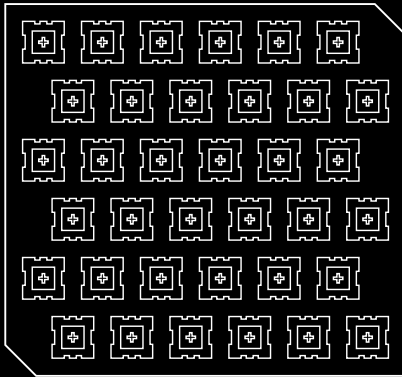
设置指南





ENGLISH 3

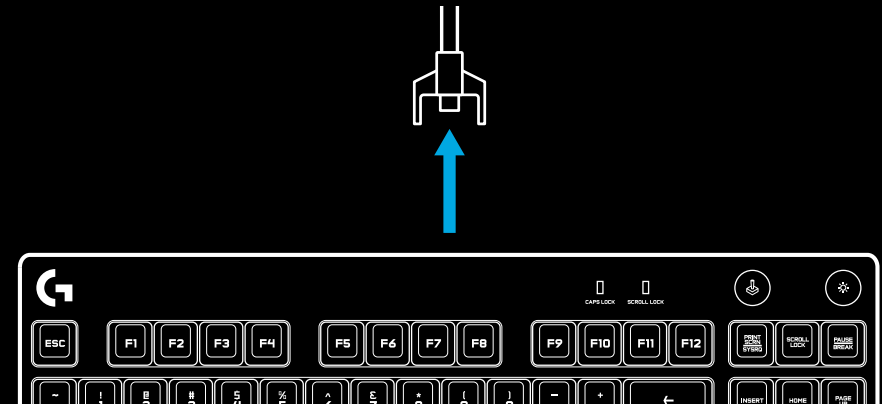
简体中文 6



PRO X SWITCH KIT INSTRUCTIONS

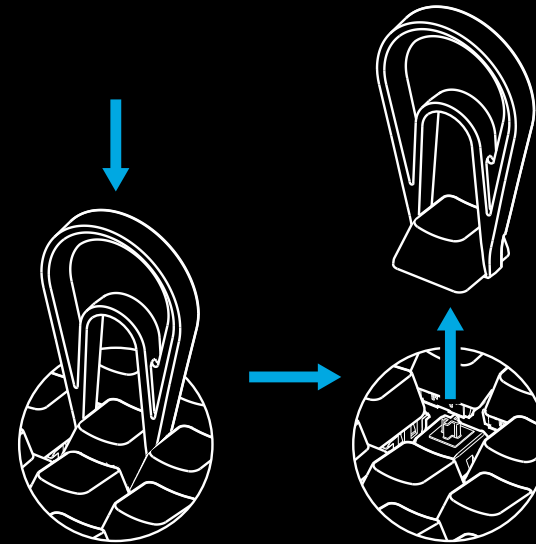
1 Disconnect USB cable from keyboard.

1

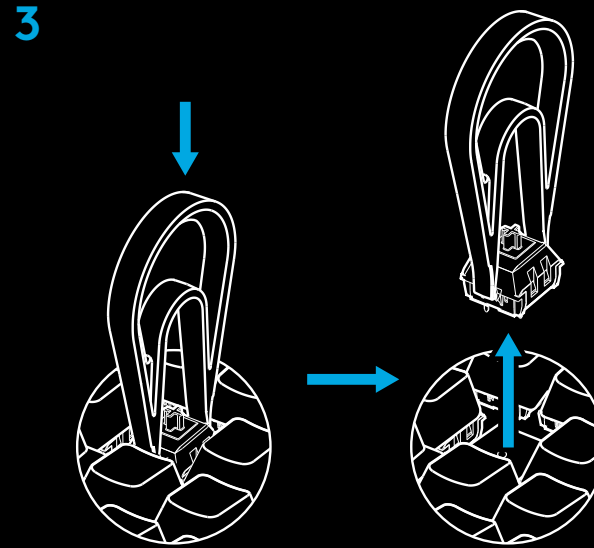


2 Remove keycap using the keycap/switch removal tool.

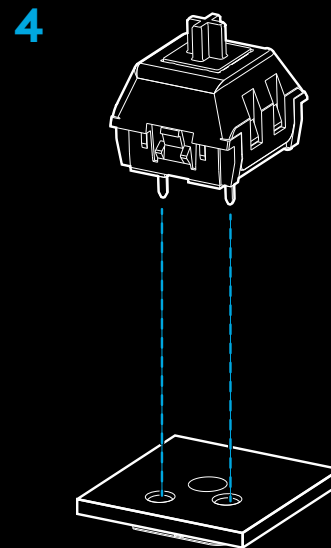
2



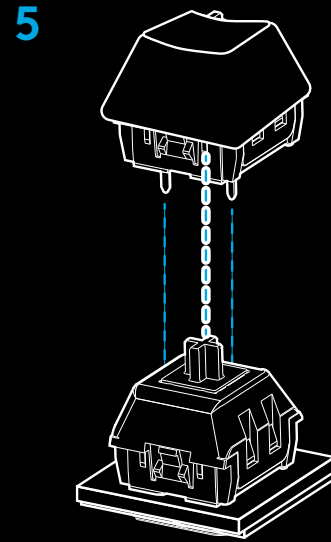
- 3** Align keycap/switch removal tool with top and bottom of switch. Grasp keycap/switch removal tool firmly to ensure clips are fully disengaged and tool has a solid grip on switch. Remove switch by pulling straight upwards.



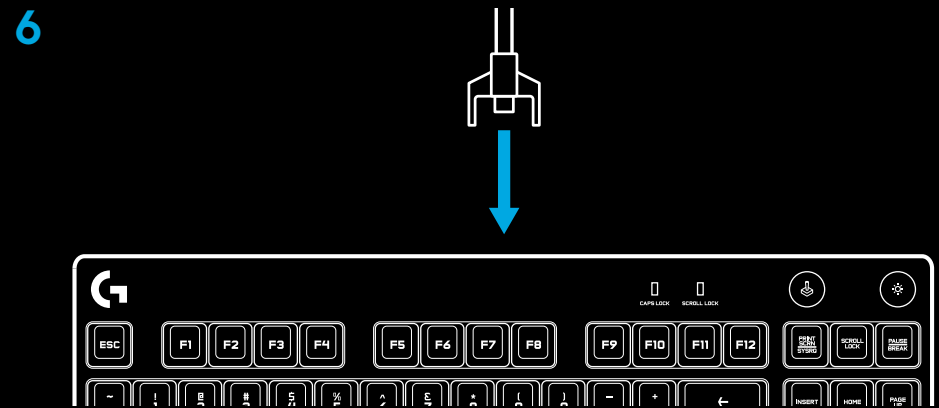
- 4 IMPORTANT:** Carefully align replacement switch pins with sockets in PCB. Misalignment can cause damage to switch or keyboard. Press switches straight down into keyboard to seat them completely.



5 Replace keycaps.



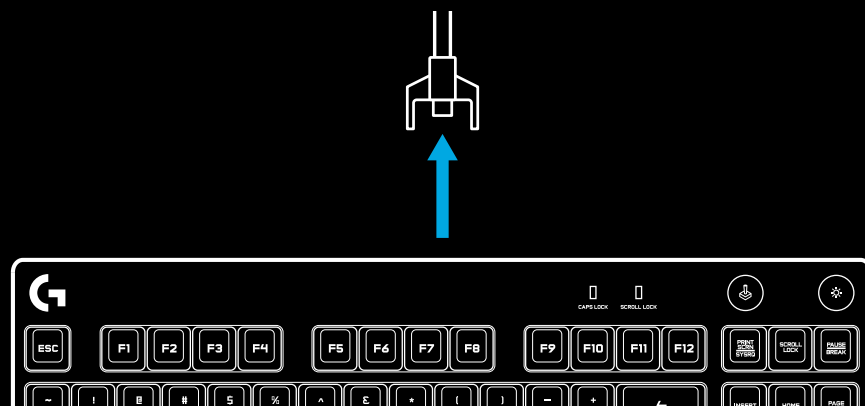
6 Plug keyboard back in.



PRO X 键轴套件说明

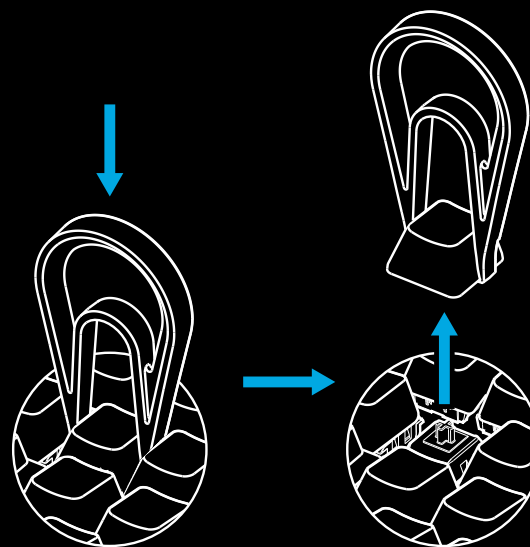
1 断开 USB 线缆与键盘的连接。

1

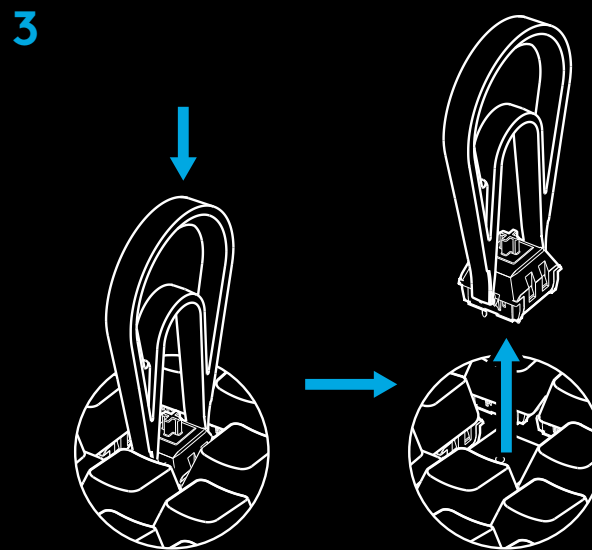


2 使用键帽/键轴拆卸工具卸下键帽。

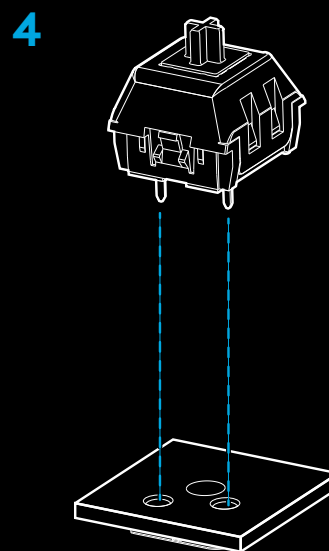
2



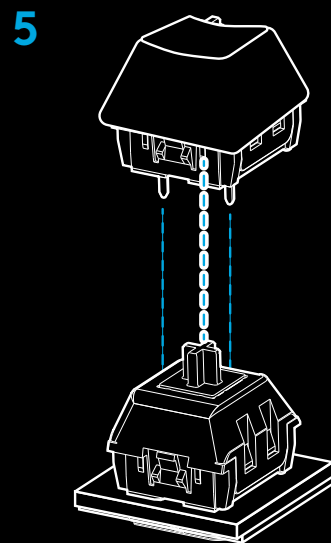
- 3 将键帽/键轴拆卸工具与键轴的顶部和底部对齐。牢牢抓住键帽/键轴拆卸工具, 以确保夹子完全张开, 并且工具牢固夹住键轴。笔直向上拉出以卸下键轴。



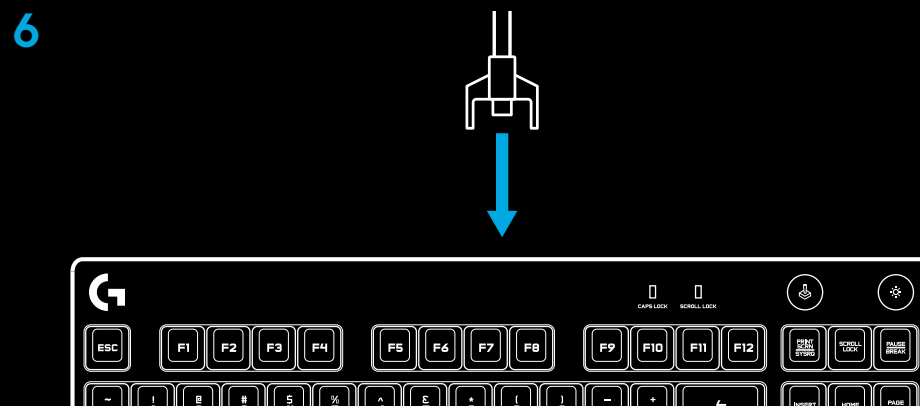
- 4 重要提示: 请小心地将备用键轴针脚与 PCB 的接口对齐。若未对齐会损坏键轴或键盘。请将键轴直接向下按入键盘, 即可使其完全就位。



5 装回键帽。



6 重新插入键盘。





© 2019 Logitech, Logi, 罗技, and the other Logitech logos are trademarks or registered trademarks of Logitech Europe S.A. and/or its affiliates in the U.S. and other countries. All other trademarks are the property of their respective owners. Logitech assumes no responsibility for any errors that may appear in this manual. Information contained herein is subject to change without notice.

版权所有 © 2019 年罗技。罗技、Logi 和其他罗技商标均归罗技所有，并或已注册。所有其他商标均是其各自所有者的财产。罗技对于本手册中可能出现的任何错误不承担任何责任。本手册中包含的信息如有更改，恕不事先通知。

WEB-621-001555.002